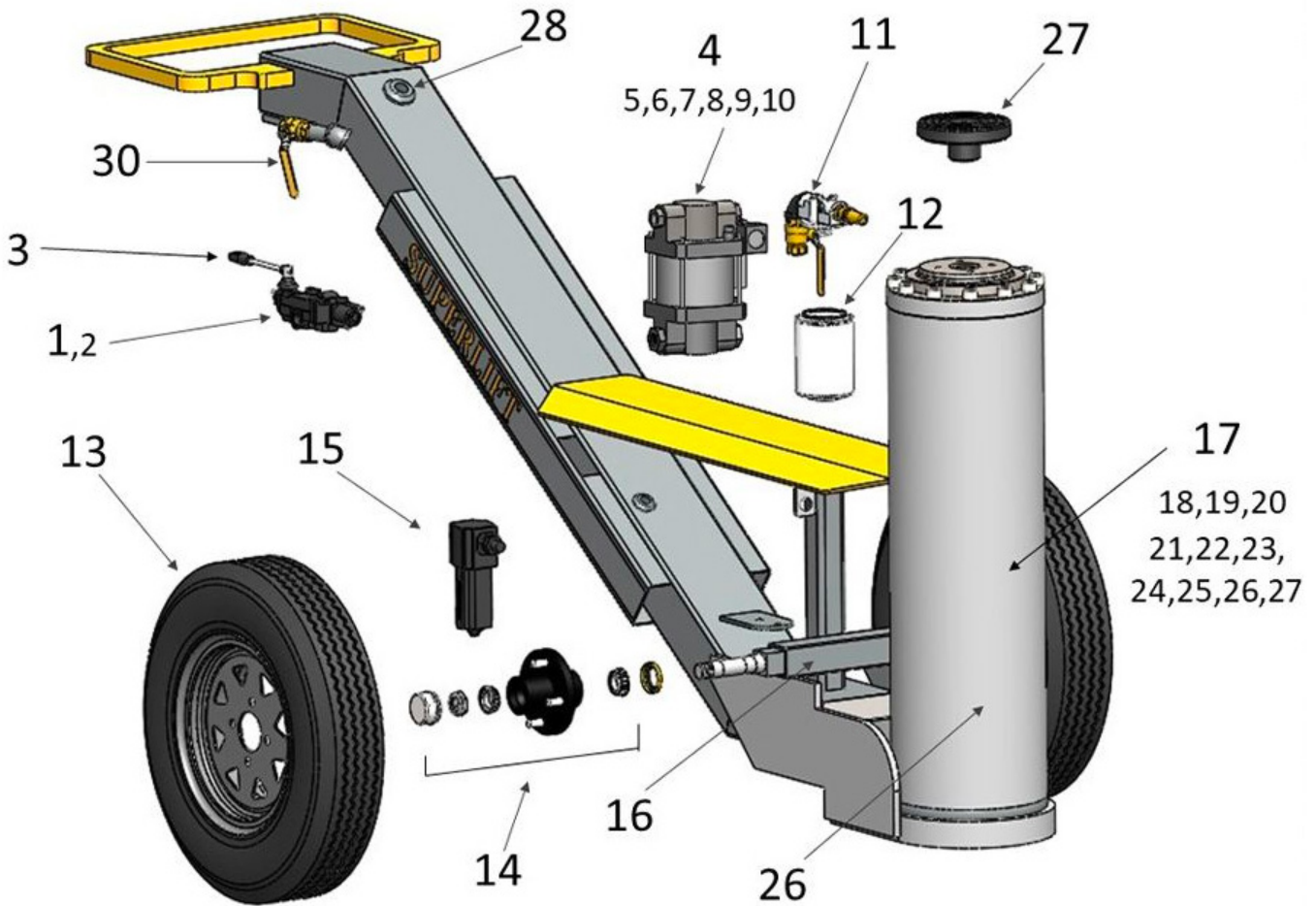


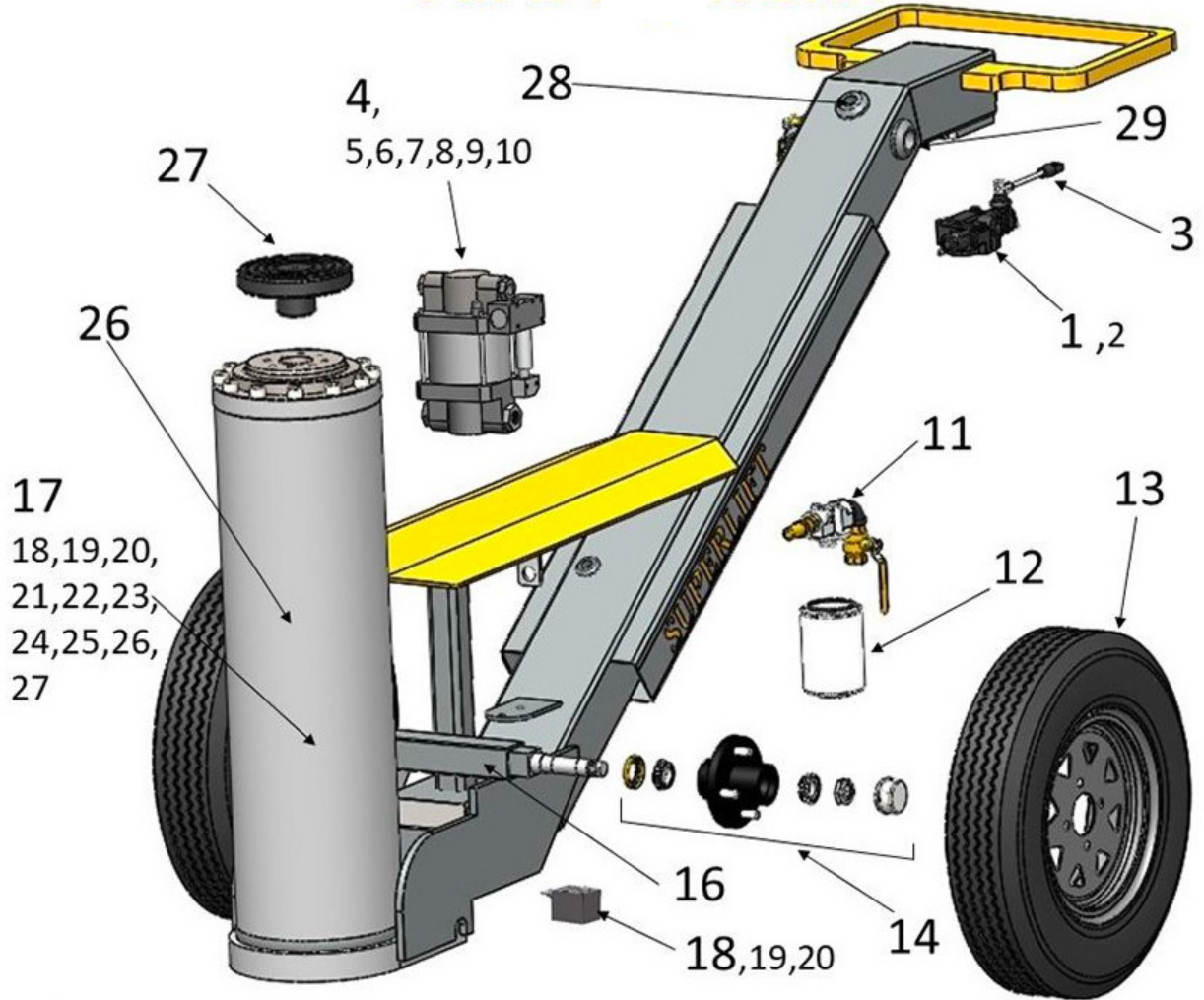
SUPERLIFT[®]

Left Side Parts

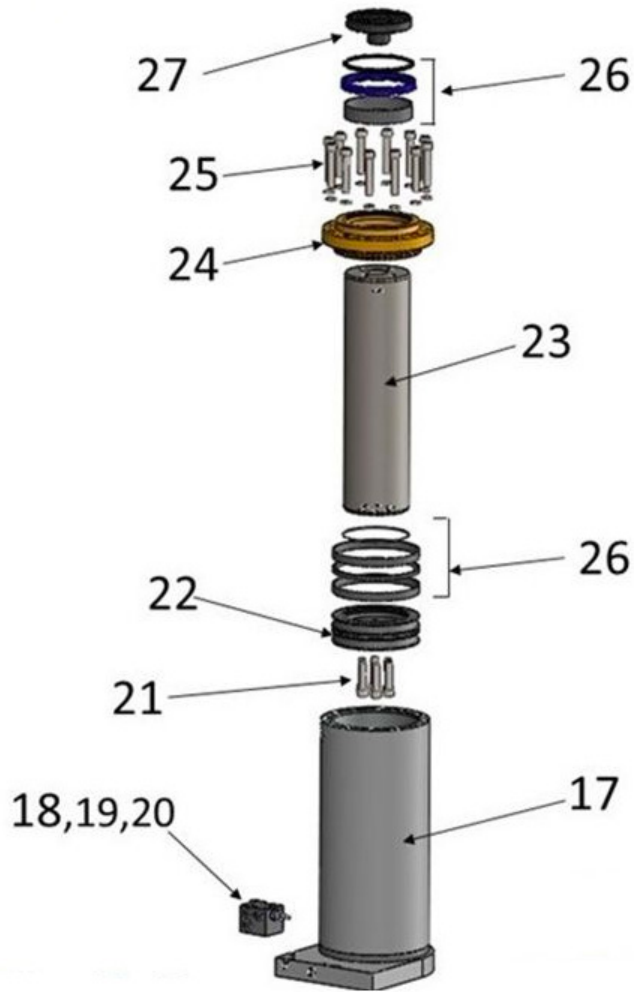


SUPERLIFT[®]

Right Side Parts



SUPERLIFT[®] Cylinder Parts



| # | DISCRPTION | PART # | Qty |
|----|--|-----------------------------------|-----|
| 1 | Control Valve | SLP-CV-SINGLE | 1 |
| 2 | Control Valve Cartridge | SLP-CV-SL-MREL | 1 |
| 3 | Control Valve Handle | SLP-CV-LEVER | 2 |
| 4 | Pump / Air / Hydraulic | HPS-25-S | 1 |
| 5 | HPS Pump Spool Valve | PR-SVA-S-PUMP | 1 |
| 6 | HPS Pump Spool Repair Kit | PR-540113 | 1 |
| 7 | HPS Pump Air Drive Section Repair Kit | PR-540233 | 1 |
| 8 | HPS Pump Hydraulic Section Repair Kit | PR-54040020 | 1 |
| 9 | HPS-Pump Check Valve Repair Kit | PR-CHK-HPS-35-S | 1 |
| 10 | HPS-Pump Muffler | PR-160104-R | 1 |
| 11 | Filter Head Assembly | SLP-OFA | 1 |
| 12 | Oil Filter | HYD-SLF-20C | 1 |
| 13 | Tire / Wheel | TWA-8-4H | 2 |
| 14 | Hub Assembly / Bearings | TWA-4H-HUB-SET | 2 |
| 15 | Air / Water Separator | HYD-WS-AD3 | 1 |
| 16 | Axel / Weld On | SLP-AXL-REG | 1 |
| 17 | Cylinder Complete | SLP-CYL-150-18 | 1 |
| 18 | Cylinder Safety Block | SLP-SB-2711 | 1 |
| 19 | Cylinder Safety Block Check Cartridge | SLP-SB-CHECK | 1 |
| 20 | Cylinder Safety Block Relief Cartridge | SLP-SB-RELIEF | 1 |
| 21 | Cylinder Piston Bolts | FAS-M16.60 | 6 |
| 22 | Cylinder Piston | MACH-SLP-CYL-150-PISTON | 1 |
| 23 | Cylinder Rod | MACH-SLP-CYL-150-18-ROD | 1 |
| 24 | Cylinder Head Gland | MACH-SLP-CYL-150-HEADGLAND | 1 |
| 25 | Cylinder Head Gland Bolts | FAS-M16.65 | 12 |
| 26 | Cylinder Seal Kit | SK-SL-6 | 1 |
| 27 | Load Cap | MACH-6M-SPIG | 1 |
| 28 | Tank Breather | HYD-34-BREATHERCAP | 1 |
| 29 | Tank Oil Level Sight Glass | HYD-1-SIGHTGLASS | 1 |
| 30 | Air Supply Shut Off Valve | HYD-34-BV | 1 |