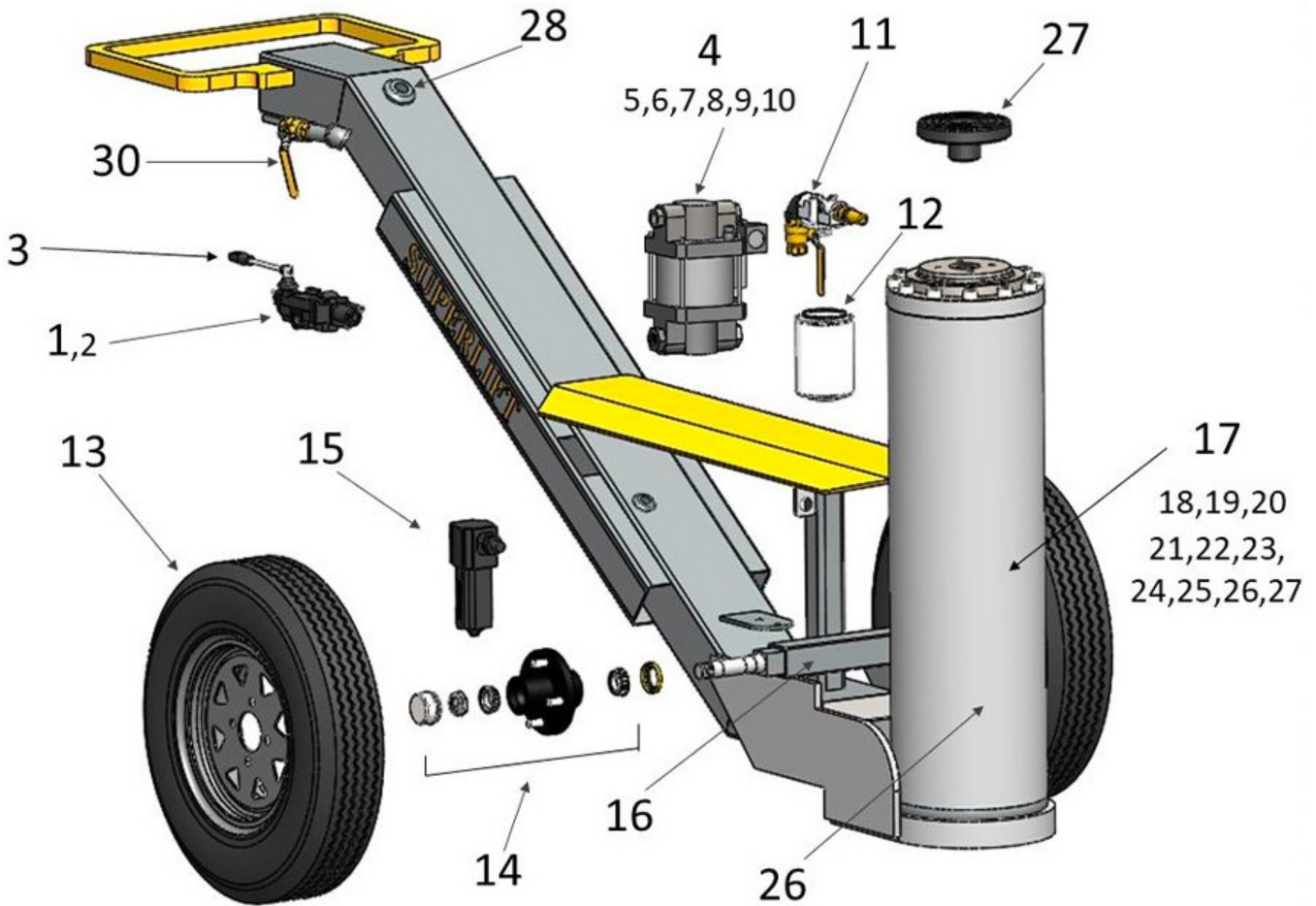


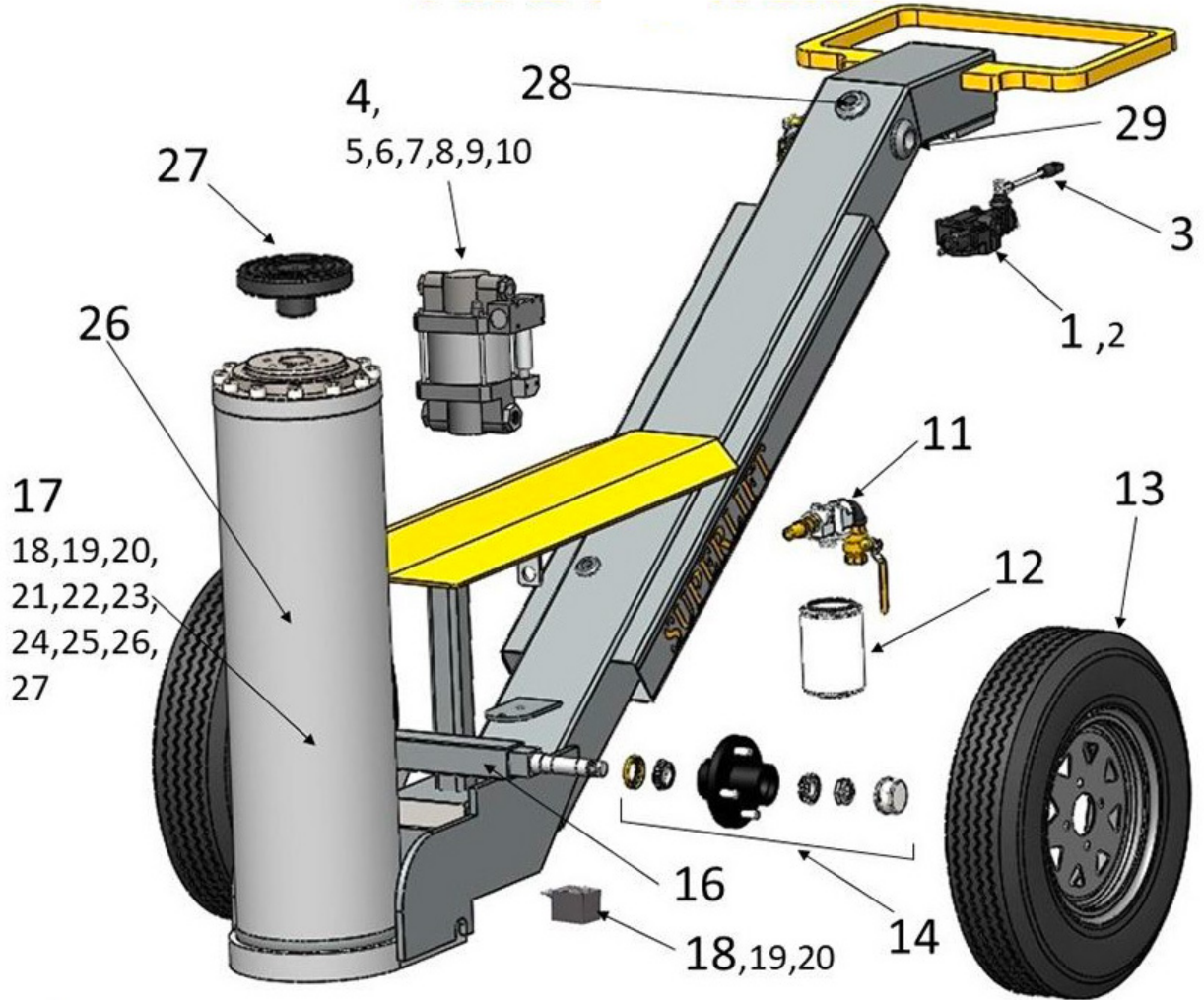
SUPERLIFT[®]

Left Side Parts

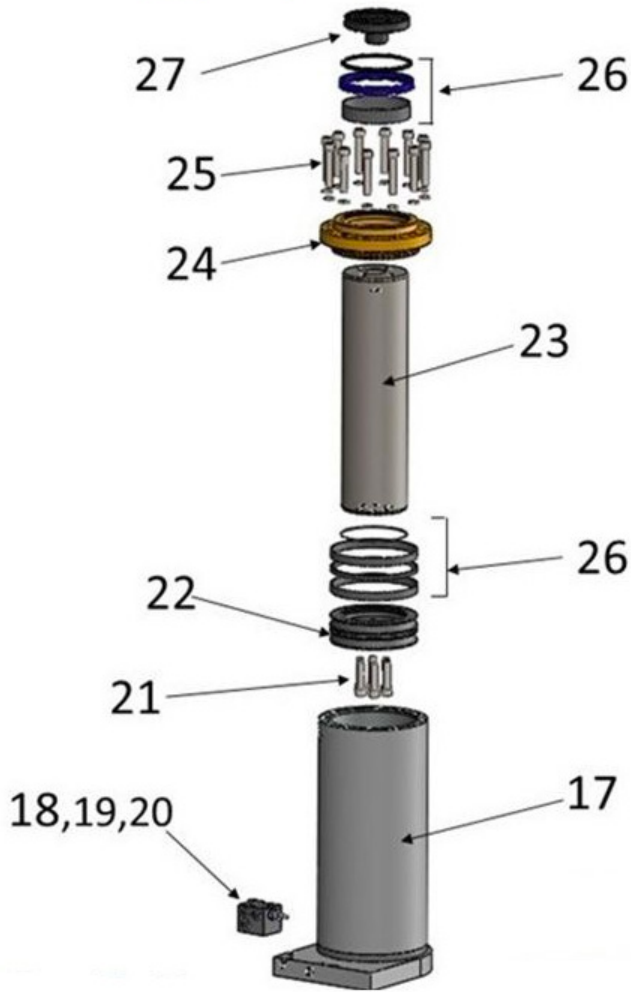


SUPERLIFT[®]

Right Side Parts



SUPERLIFT[®] Cylinder Parts



#	DESCRIPTION	PART #	Qty
1	Control Valve	SLP-CV-SINGLE	1
2	Control Valve Cartridge	SLP-CV-SL-MREL	1
3	Control Valve Handle	SLP-CV-LEVER	2
4	Pump / Air / Hydraulic	HPS-25-S	1
5	HPS Pump Spool Valve	PR-SVA-S-PUMP	1
6	HPS Pump Spool Repair Kit	PR-540113	1
7	HPS Pump Air Drive Section Repair Kit	PR-540233	1
8	HPS Pump Hydraulic Section Repair Kit	PR-54040020	1
9	HPS-Pump Check Valve Repair Kit	PR-CHK-HPS-35-S	1
10	HPS-Pump Muffler	PR-160104-R	1
11	Filter Head Assembly	SLP-OFA	1
12	Oil Filter	HYD-SLF-20C	1
13	Tire / Wheel	TWA-8-4H	2
14	Hub Assembly / Bearings	TWA-4H-HUB-SET	2
15	Air / Water Separator	HYD-WS-AD3	1
16	Axel / Weld On	SLP-AXL-REG	1
17	Cylinder Complete	SLP-CYL-150-18	1
18	Cylinder Safety Block	SLP-SB-2711	1
19	Cylinder Safety Block Check Cartridge	SLP-SB-CHECK	1
20	Cylinder Safety Block Relief Cartridge	SLP-SB-RELIEF	1
21	Cylinder Piston Bolts	FAS-M16.60	6
22	Cylinder Piston	MACH-SLP-CYL-150-PISTON	1
23	Cylinder Rod	MACH-SLP-CYL-150-18-ROD	1
24	Cylinder Head Gland	MACH-SLP-CYL-150-HEADGLAND	1
25	Cylinder Head Gland Bolts	FAS-M16.65	12
26	Cylinder Seal Kit	SK-SL-6	1
27	Load Cap	MACH-6M-SPIG	1
28	Tank Breather	HYD-34-BREATHERCAP	1
29	Tank Oil Level Sight Glass	HYD-1-SIGHTGLASS	1
30	Air Supply Shut Off Valve	HYD-34-BV	1