

Superlift Jack

SL-150-38

- ✓ SuperLift jacks are operating on 6 continents and have been for over 20 years
- ✓ Available in electric or pneumatic
- ✓ Complies with standards set by ASME/ANSI B30
- ✓ Ergonomically balanced with large tires for easy maneuverability
- ✓ Large diameter cylinder for greater stability
- ✓ External mounted removable oil filter
- ✓ Oil level indicator and oil change drain plug.
- ✓ Muffler system for reduced operating noise
- ✓ Custom manufactured load caps and extensions available

150 Ton Jack



AUTHORIZED DISTRIBUTOR

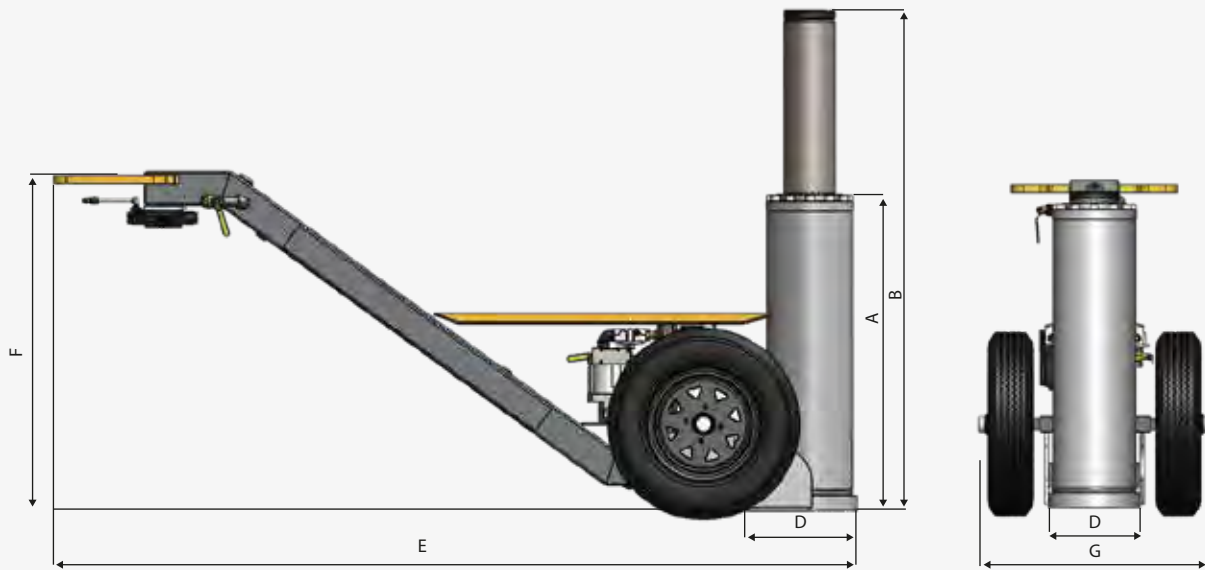
www.reliablewheel.com

Reliable
Wheel Products

Superlift Jack

150 Ton Jack

Model - SL-150-38



SL-150-38

IMPERIAL | METRIC

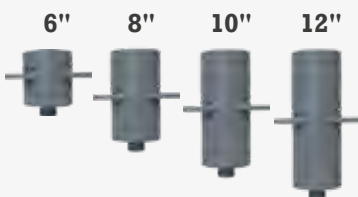
Minimum Height (A)	38"	686 mm
Maximum Height (B)	66"	1676 mm
Cylinder Base (D)	11"	279 mm

SL-150-38

IMPERIAL | METRIC

Frame Length (E)	96"	2438 mm
Handle Length (F)	40"	1016 mm
Frame Width (G)	29"	737mm
Unit Weight	1083 lbs	491 kg

Extensions



Extension.

in	mm
6	150
8	200
10	250
12	300

Min. Height with Ext.

in	mm
44	1118
46	1168
48	1219
50	1270

Max. Height with Ext.

in	mm
72	1829
74	1880
76	1930
78	1981

* Extensions can be custom manufactured to any height

OPTIONAL FEATURES

- Locking Collar Set
- Custom Load Caps
- Locking Collar Rack
- Custom Extensions
- Lighting
- Remote Operations
- Foam Tires
- Hand Guards
- Power Drive



Foam Tires



Load Locking Collars



Swivel Cap

www.reliablewheel.com