

Superlift Jack

SL-100-38

- ✓ SuperLift jacks are operating on 6 continents and have been for over 20 years
- ✓ Available in electric or pneumatic
- ✓ Complies with standards set by ASME/ANSI B30
- ✓ Ergonomically balanced with large tires for easy maneuverability
- ✓ Large diameter cylinder for greater stability
- ✓ External mounted removable oil filter
- ✓ Oil level indicator and oil change drain plug.
- ✓ Muffler system for reduced operating noise
- ✓ Custom manufactured load caps and extensions available

100 Ton Jack



AUTHORIZED DISTRIBUTOR

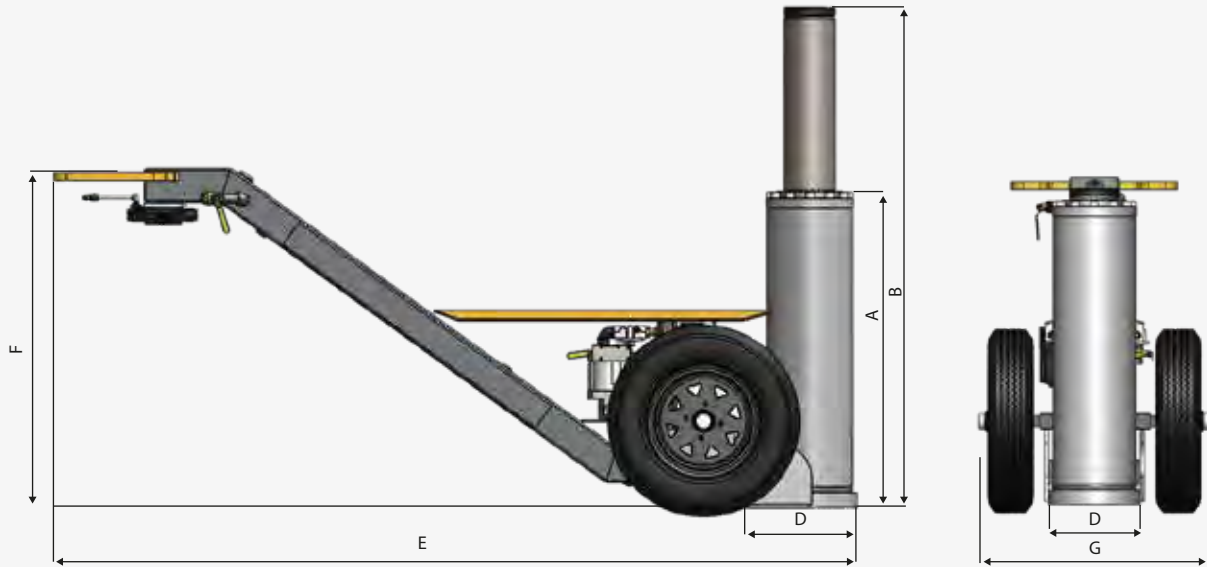
www.reliablewheel.com

Reliable
Wheel Products

Superlift Jack

100 Ton Jack

Model - SL-100-38



SL-100-38

IMPERIAL | METRIC

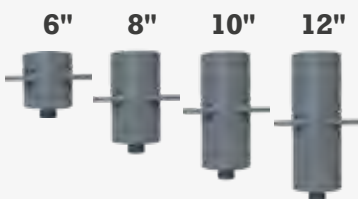
| | | |
|--------------------|-----|---------|
| Minimum Height (A) | 38" | 686 mm |
| Maximum Height (B) | 66" | 1676 mm |
| Cylinder Base (D) | 11" | 279 mm |

SL-100-38

IMPERIAL | METRIC

| | | |
|-------------------|----------|---------|
| Frame Length (E) | 96" | 2438 mm |
| Handle Length (F) | 40" | 1016 mm |
| Frame Width (G) | 29" | 737mm |
| Unit Weight | 1083 lbs | 491 kg |

Extensions



Extension.

| in | mm |
|----|-----|
| 6 | 150 |
| 8 | 200 |
| 10 | 250 |
| 12 | 300 |

Min. Height with Ext.

| in | mm |
|----|------|
| 44 | 1118 |
| 46 | 1168 |
| 48 | 1219 |
| 50 | 1270 |

Max. Height with Ext.

| in | mm |
|----|------|
| 72 | 1829 |
| 74 | 1880 |
| 76 | 1930 |
| 78 | 1981 |

* Extensions can be custom manufactured to any height

OPTIONAL FEATURES

- Locking Collar Set
- Custom Load Caps
- Locking Collar Rack
- Custom Extensions
- Lighting
- Remote Operations
- Foam Tires
- Hand Guards
- Power Drive



Foam Tires



Load Locking Collars



Swivel Cap

www.reliablewheel.com