

Superlift Jack

SL-50-18

- ✓ Superlift jacks are operating on 6 continents and have been for over 20 years
- ✓ Available in electric or pneumatic
- ✓ Complies with standards set by ASME/ANSI B30
- ✓ Ergonomically balanced with large tires for easy maneuverability
- ✓ Large diameter cylinder for greater stability
- ✓ External mounted removable oil filter
- ✓ Oil level indicator and oil change drain plug.
- ✓ Muffler system for reduced operating noise
- ✓ Custom manufactured load caps and extensions available



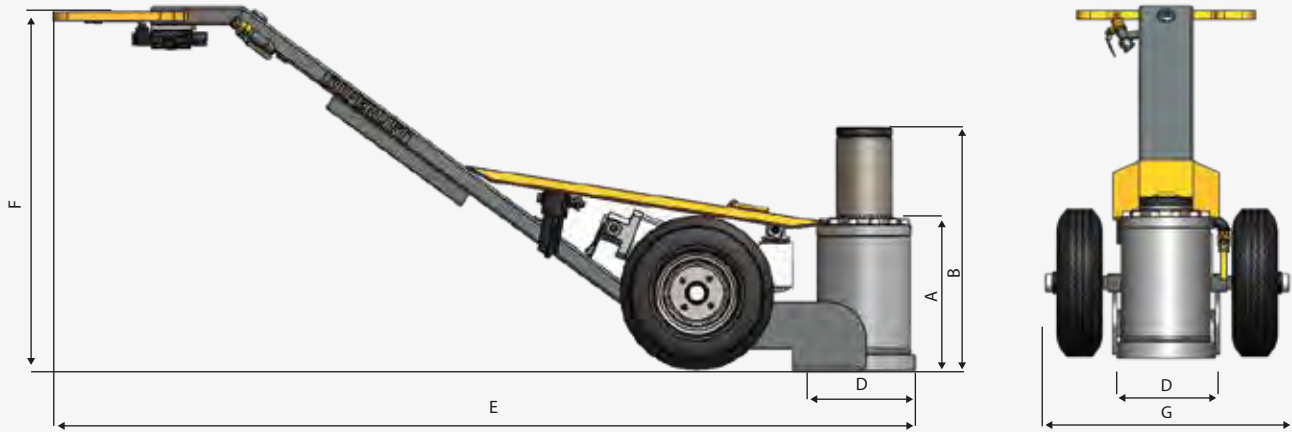
50 Ton Jack

AUTHORIZED DISTRIBUTOR

Superlift Jack

50 Ton Jack

Model - SL-50-18



SL-50-18

Minimum Height (A)
Maximum Height (B)
Cylinder Base (D)

IMPERIAL | METRIC

18"	457 mm
27"	686 mm
11"	279 mm

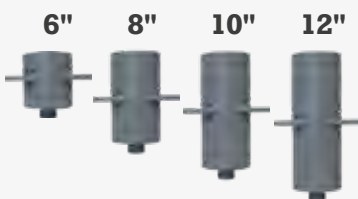
SL-50-18

Frame Length (E)
Handle Length (F)
Frame Width (G)
Unit Weight

IMPERIAL | METRIC

96"	2438 mm
40"	1016 mm
29"	737mm
706 lbs	320 kg

Extensions



Extension.

in	mm
6	150
8	200
10	250
12	300

Min. Height with Ext.

in	mm
24	610
26	660
28	711
30	762

Max. Height with Ext.

in	mm
33	838
35	889
37	940
39	991

* Extensions can be custom manufactured to any height

OPTIONAL FEATURES

- Locking Collar Set
- Custom Load Caps
- Locking Collar Rack
- Custom Extensions
- Lighting
- Remote Operations
- Foam Tires
- Hand Guards
- Power Drive



Foam Tires



Load Locking Collars



Swivel Cap

www.reliablewheel.com