

Superlift Jack

SL-200-33-EX

- ✓ SuperLift jacks are operating on 6 continents and have been for over 20 years
- ✓ Available in electric or pneumatic
- ✓ Complies with standards set by ASME/ANSI B30
- ✓ Ergonomically balanced with large tires for easy maneuverability
- ✓ Large diameter cylinder for greater stability
- ✓ Power driven
- ✓ External mounted removable oil filter
- ✓ Oil level indicator and oil change drain plug.
- ✓ Muffler system for reduced operating noise
- ✓ Custom manufactured load caps and extensions available



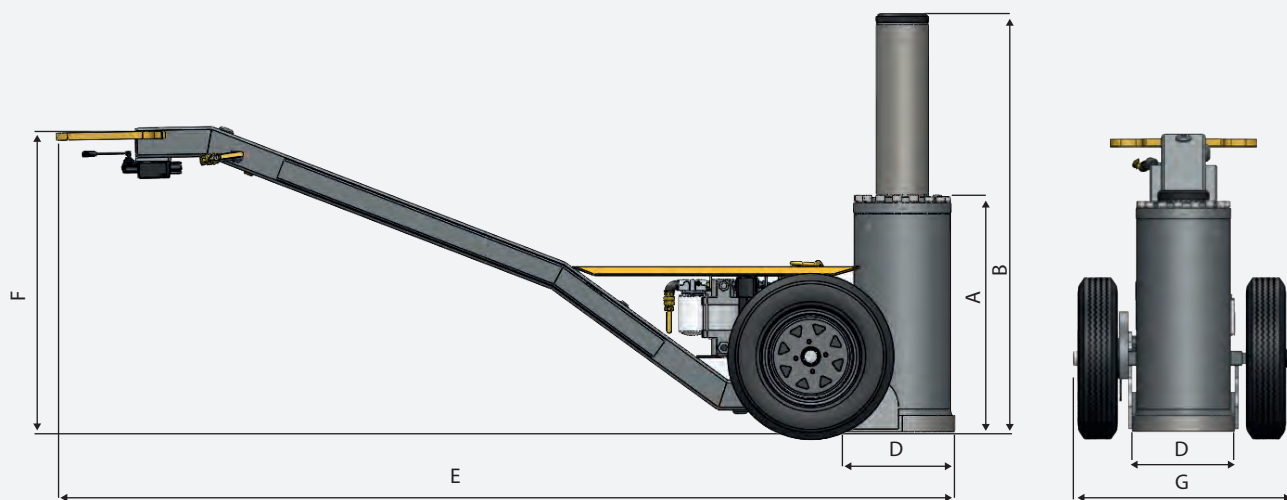
200 Ton Jack

AUTHORIZED DISTRIBUTOR

Superlift Jack

200 Ton Jack

Model - SL-200-33-EX



SL-200-33-EX

IMPERIAL | METRIC

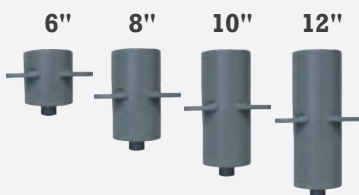
Minimum Height (A)	33"	838 mm
Maximum Height (B)	57"	1448 mm
Cylinder Base (D)	15"	381 mm

SL-200-33-EX

IMPERIAL | METRIC

Frame Length (E)	120"	3048 mm
Handle Length (F)	40"	1016 mm
Frame Width (G)	32"	813 mm
Unit Weight	1605 lbs	728 kg

Extensions



Extension.

in	mm
6	150
8	200
10	250
12	300

Min. Height with Ext.

in	mm
39	991
41	1041
43	1092
45	1143

Max. Height with Ext.

in	mm
63	1600
65	1651
67	1702
69	1753

* Extensions can be custom manufactured to any height

OPTIONAL FEATURES

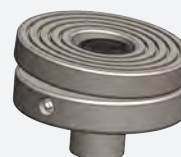
- Locking Collar Set
- Custom Load Caps
- Locking Collar Rack
- Custom Extensions
- Lighting
- Remote Operations
- Foam Tires
- Hand Guards
- Tilt Handle



Foam Tires



Load Locking Collars



Swivel Cap

www.reliablewheel.com